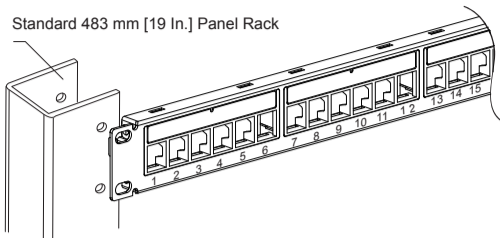


Termination instructions

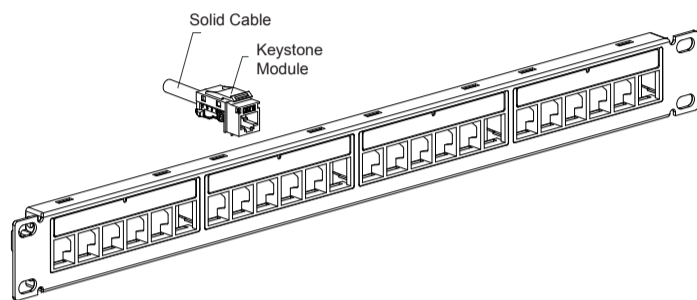
- Opus OC5001

19" 24-Port UTP empty panel provides 24-port openings for Keystone jack UTP Opus-series Cat.6 and Cat.6A

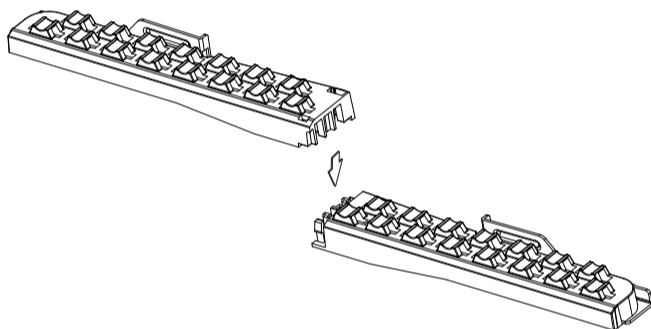
Standard 483 mm [19 In.] Panel Rack



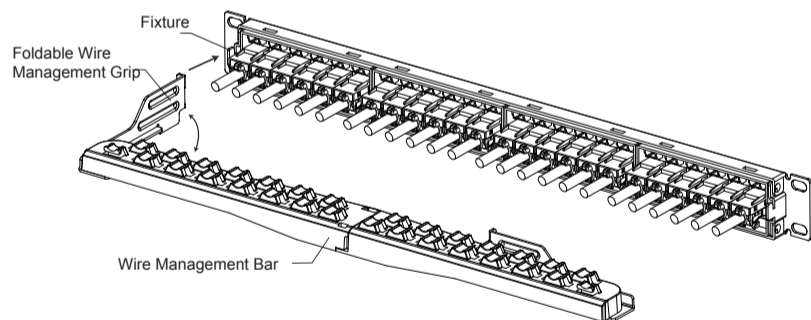
Position the cable assembled RJ45 module from back of panel and then snap in the RJ45 modules into the RJ45 window all the way down until the latch on module is locked to panel as shown in Figure. Follow the installation in sequence until all required RJ45 modules are installed.



Assemble the cable management as shows.



Expand the Foldable Wire Management Grip, hook the grips into fixture at both ends of the patch panel.



Fix the solid cables to the cable fixture hole by cable ties.

